

# USB3.0 (USB 3.1 Gen1) Repeater

Double the distance between camera and computer without any data loss.

## ◆ Specifications

- Extending USB 3.0 signals an additional 2~5 meters
- USB 3.0 SuperSpeed (5Gbps) and USB 2.0 both extend
- Bus powered, no external power source needed
- Plug and Play, no drivers required
- USB3.0 micro B-type connector from host side
- USB3.0 standard A-type connector to camera side



◆ U3-RP-A



Host

USB 3.0 Cable 2~5m



USB3.0 Repeater  
(U3-RP-A)

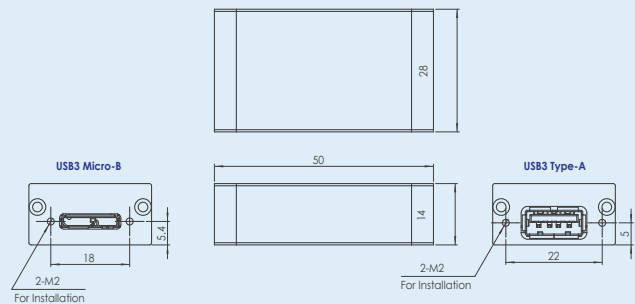
USB 3.0 Cable 2~5m



USB3.0 Camera

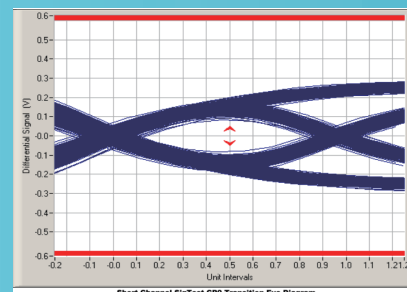
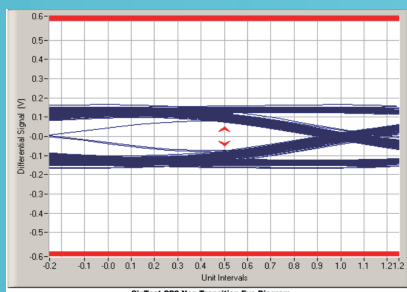
## ◆ Dimensions

- 50mm x 28mm x 14mm (L x W x H)
- Net weight: 23g



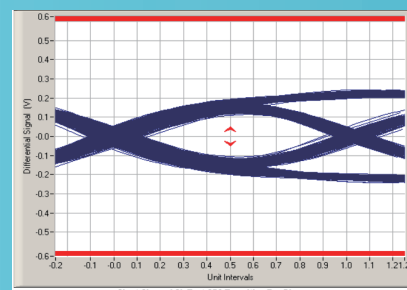
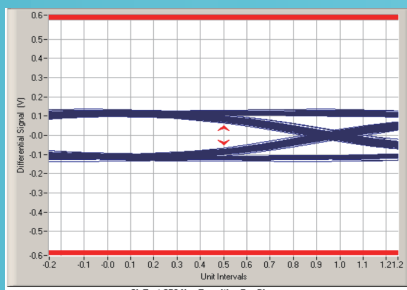
## ◆ Test Result:

### • Case1 (Without repeater)



Host → USB 3.0 Cable 5m → USB3.0 Camera

### • Case2 (With repeater)



Host → USB 3.0 Cable 5m → USB3.0 Repeater (U3-RP-A) → USB 3.0 Cable 5m → USB3.0 Camera