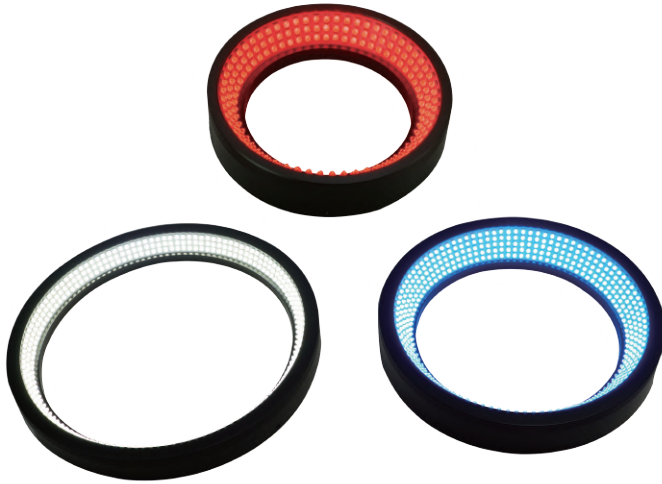


# LCIR2 Series

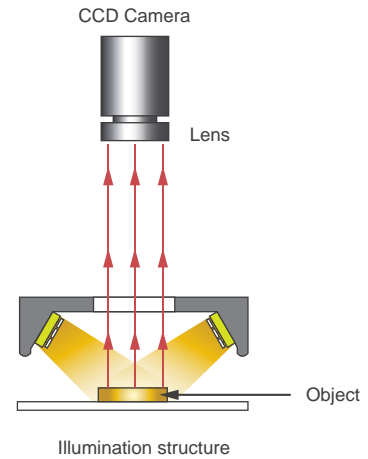
## 環型低角度光源



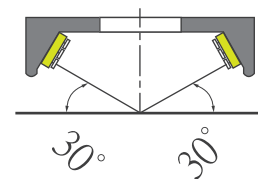
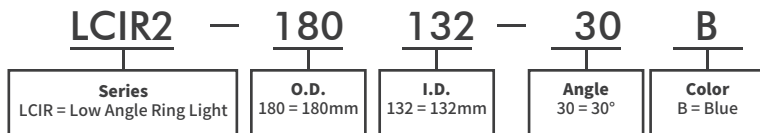
LCIR2 LED局部放大

### ◆ 產品特色

- 高密度LED陣列、高亮度
- 可客製LED發光角度與照射角度
- 小型化設計，可縮小安裝空間
- SMT/Reflow製程保證產品品質與生產效率



### ◆ 產品型號



LCIR series angle diagram

### ◆ 系列規格表

Model	Voltage	Color	Power (W)		Dimensions (mm)			Diagrams
			●	●●●○	O.D.	I.D.	Angle	
LCIR2-4318-30	24V	● ● ● ○	2.6	2.6	43	18	30	1
LCIR2-4820-30	24V	● ● ● ○	2.8	3.2	48	20	30	2
LCIR2-5022-30	24V	● ● ● ○	3.1	3.2	50	22	30	3
LCIR2-6630-30	24V	● ● ● ○	5.5	6.5	66	30	30	4
LCIR2-7446-30	24V	● ● ● ○	4.5	5	74	46	30	5
LCIR2-10070-30	24V	● ● ● ○	8.5	9.1	100	70	30	6
LCIR2-13296-15	24V	● ● ● ○	14	16	132	96	15	7
LCIR2-150120-30	24V	● ● ● ○	17	20	150	120	30	8
LCIR2-170134-20	24V	● ● ● ○	20	20	170	134	20	9
LCIR2-180132-30	24V	● ● ● ○	26	30	180	132	30	10
LCIR2-208171-25	24V	● ● ● ○	20	20	208	171	25	11

◆ 產品尺寸圖

(mm)

<p>1</p> <p>LCIR2-4318-30</p>	<p>2</p> <p>LCIR2-4820-30</p>	<p>3</p> <p>LCIR2-5022-30</p>
<p>4</p> <p>LCIR2-6630-30</p>	<p>5</p> <p>LCIR2-7446-30</p>	<p>6</p> <p>LCIR2-10070-30</p>
<p>7</p> <p>LCIR2-13296-15</p>	<p>8</p> <p>LCIR2-150120-30</p>	<p>9</p> <p>LCIR2-170134-20</p>
<p>10</p> <p>LCIR2-180132-30</p>	<p>11</p> <p>LCIR2-208171-25</p>	

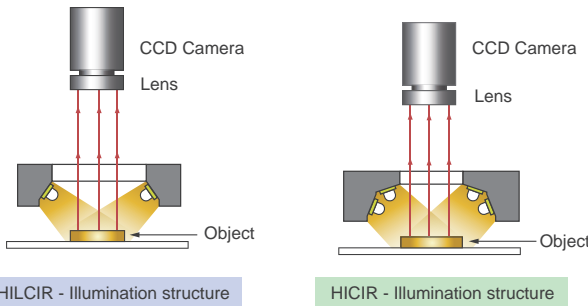
# HICIR/HILCIR Series

## 高亮度環型光源



### ◆ 產品特色

- 超高亮度指向性直接照明，可有效凸顯表面瑕疵
- 專利模組化設計，提供穩定且均勻的照明效果
- 高功率LED與高效率光學設計，超越傳統環型燈20~100倍以上亮度
- 專利產品



### ◆ 產品型號

<b>HICIR</b>	<b>-</b>	<b>114</b>	<b>39</b>	<b>-</b>	<b>70</b>	<b>-</b>	<b>35</b>	<b>-</b>	<b>W</b>
<b>Series</b> HICIR = High Power Ring Light		<b>O.D.</b> 114 = 114mm	<b>I.D.</b> 39 = 39mm		<b>Angle</b> 70 = 70°		<b>Angle</b> 35 = 35°		<b>Color</b> W = White

### ◆ 系列規格表

Model	Color	Current / Power	No. of Channel	Dimensions (mm)			Diagrams
				O.D.	I.D.	Angle	
HILCIR-12073-35	●○	Continuous: 1A/20W Strobe: 4A/80W	1	120	73	35	1
HILCIR-13277-35	●○	Continuous: 0.75A/13W Strobe: 2A/35W	1	132	77	35	2
HICIR-11439-70-35	●○	Continuous: 0.35A/22W Strobe: 2A/120W	3	114	39	70/35	3
HICIR-16770-70-35	●○	Continuous: 0.35A/36W Strobe: 2A/200W	5	167	70	70/35	4

註：僅限搭配定電流驅動器，並請注意額定電流。

#### Power (W) for Different Driver Mode

Maximum duty cycle in pulse drive mode: <20% @ Interval < 100ms

Model	Color	In continuous drive mode	In pulse drive mode
HILCIR-12073-35-W	○	20W	80W
HILCIR-13277-35-W	○	13W	35W
HICIR-11439-70-W	○	22W	120W
HICIR-16770-70-W	○	36W	200W

### ◆ 產品尺寸圖

(mm)

