

USB3 Active Optical Cable

USB3 Active Optical Cables



◆ Product Features

- USB3.2 Micro B AOC - Full Bandwidth of 10Gbps
- Backward Compatible USB3.0 5Gbps
- Maximum Cable Length up to 40 meter
- Minimum Bending Radius – 25 mm
- Cable Outer Diameter - 4.8 +/- 0.2 mm
- Drag Chain Test - 5 Million Times
- EMI/ESD Protection, Black PVC Jacket
- RoHS , REACH Compatible

◆ Model Guide

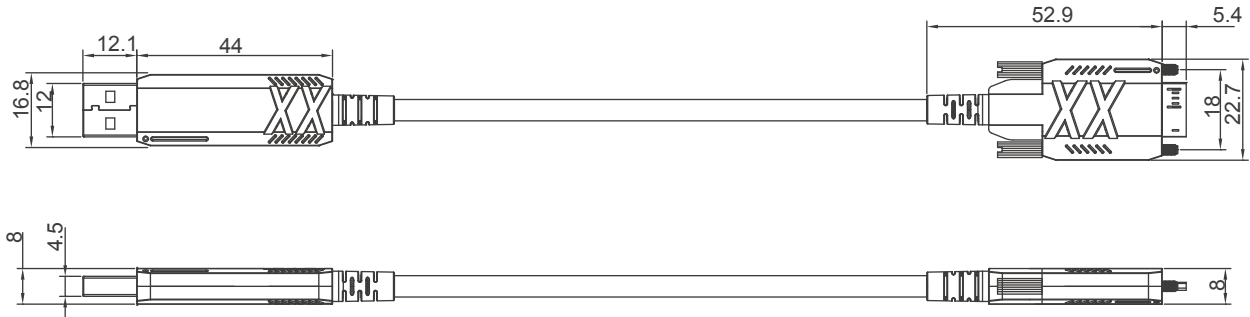
BES	—	P32AMBL	—	5M	—	UP	—	AOC	□
Model Name BES = High Flex Cable		Specification P32AMBL = USB3.2 Type-A to Micro-B with Lock		Lenght 5M = 5 meter		Angle UP = UP		AOC = Active Optical Cable	Reserved Identify code

◆ Specification Table

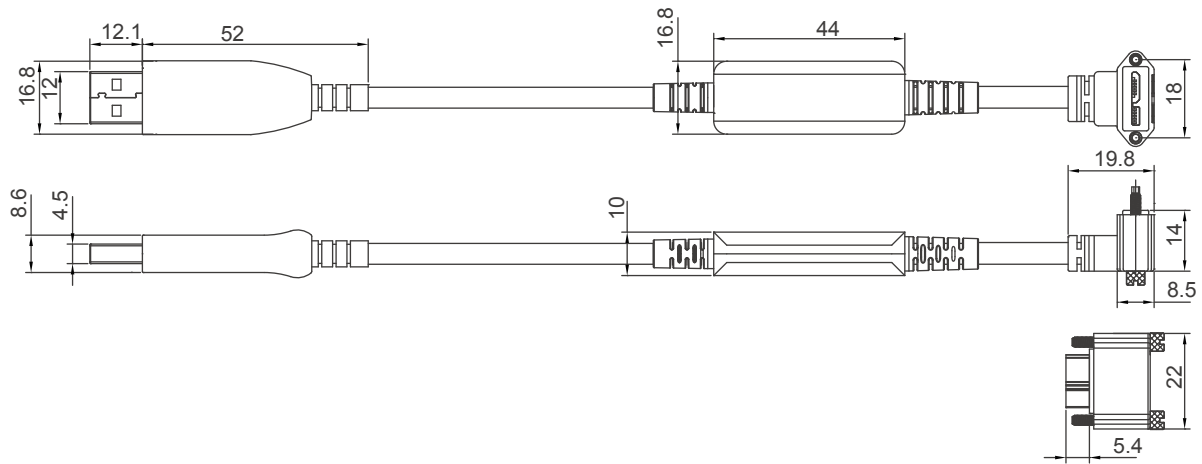
Model	Description
BES-P32AMBL-xM-AOC	USB3 A-Micro B with Locking AOC
BES-P32AMBL-xM-UP-AOC	USB3 A-Micro B Up Angle with Locking AOC
BES-P32AMBL-xM-DN-AOC	USB3 A-Micro B Down Angle with Locking AOC
BES-P32AMBL-xM-L-AOC	USB3 A-Micro B Left Angle with Locking AOC
BES-P32AMBL-xM-R-AOC	USB3 A-Micro B Right Angle with Locking AOC

◆ Dimensional Drawing

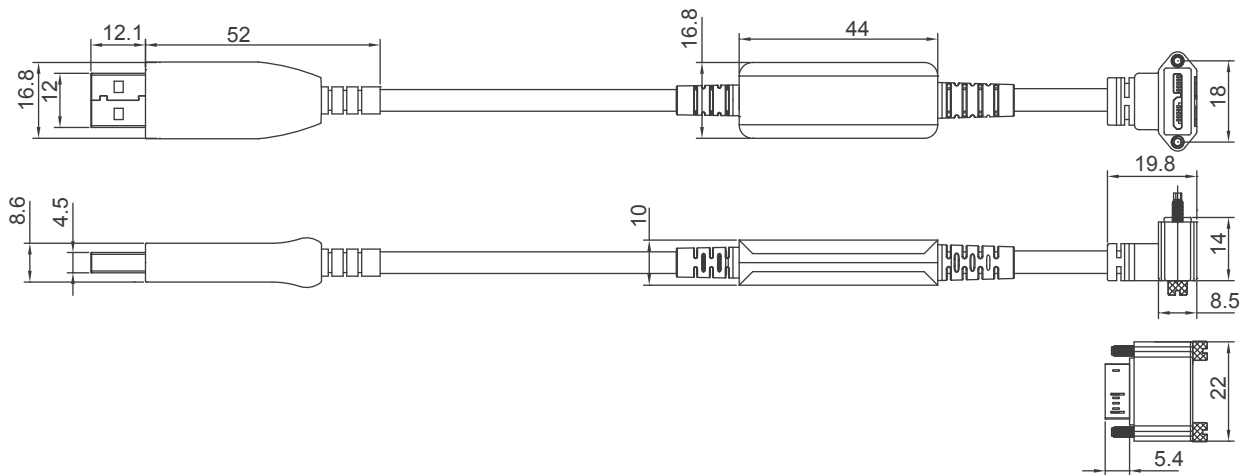
(mm)



● BES-P32AMBL-xM-AOC



● BES-P32AMBL-xM-UP-AOC



● BES-P32AMBL-xM-DN-AOC