

MDLV2/MDHV

Closed-loop Stepping System



• MDLV2



• MDHV

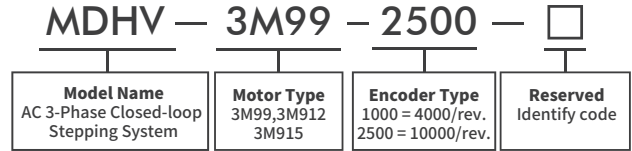
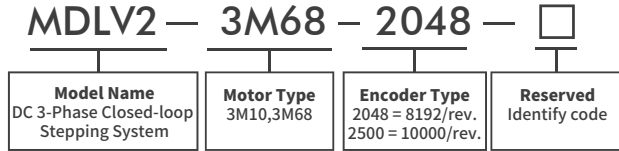
◆ Product Features

- Two communication interface available : USB2.0/RS-485
- Programmable motion instructions : Be able to work without PC or PLC
- Build-in acceleration and deceleration curves : Parameterized S-curve and T-curve
- Closed-loop control :
 - ▲ MDLV2 : 2048/2500PPR Encoder, up to 8192/10000 resolution
 - ▲ MDHV : 2500PPR Encoder, up to 10000 resolution
- Dynamic compensating mechanism : Compensation adjustment of position and current, accurate high-speed positioning and no miss-stepping
- Stepping motor system : Using 3-phase stepping motor that is more stable and fully compatible with Servo (MDLV2) or AC-Servo (MDHV)
- Protection and alarming mechanism : Emergency-stop, over-loading, overshoot, over-heat protection and ALM output
- Supports 10-point (MDLV2)/4-Point (MDHV) programmable output : Be able to complete ALM, INP and external I/O control
- Supports 8-point (MDLV2)/7-point (MDHV) programmable input : Be able to complete home(origin) return, limit+ and limit- protection, emergency-stop, normal-stop, driver enable, and in-position slowdown command
- Compatibility of pulse input : Supports differential pulse input (open-loop only)
- Programmable differential pulse output : Encoder pulse output (can be applied to position feedback and position synchronization of image capture system) : 1~256 levels of frequency divider ratio that apply to every resolutions.

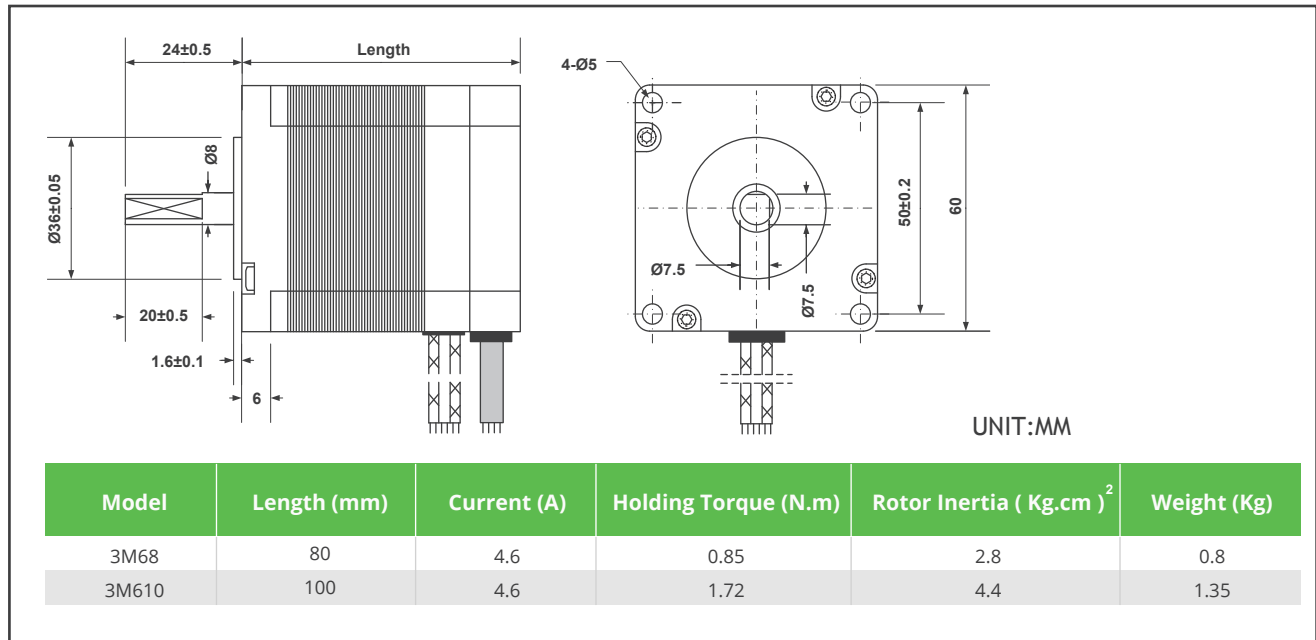
◆ Specification Table

Model	Weight (kg)	Dimension (max. mm)	Model Type	Motor Type	Encoder Type
MDLV2	0.33	142(W) x 86(L) x 37(H) without expansion connectors	MDLV2-3M68-2048	3M68	2048PPR / 8192 rev.
			MDLV2-3M610-2048	M610	2048PPR / 8192 rev.
			MDLV2-3M68-2500	3M68	2500PPR / 10000 rev.
			MDLV2-3M610-2500	3M610	2500PPR / 10000 rev.
MDHV	1.2	150(W) x 135(L) x 65(H) without expansion connectors	MDHV-3M99-2500	3M99	2500PPR / 10000 rev.
			MDHV-3M912-2500	3M912	2500PPR / 10000 rev.
			MDHV-3M912T-2500	3M912T	2500PPR / 10000 rev.
			MDHV-3M915-2500	3M915	2500PPR / 10000 rev.
			MDHV-3M915T-2500	3M915T	2500PPR / 10000 rev.

◆ Model Guide



◆ MDLV2 Motor Dimensional Drawing & Motor Specification Table



◆ MDHV Motor Dimensional Drawing & Motor Specification Table

