

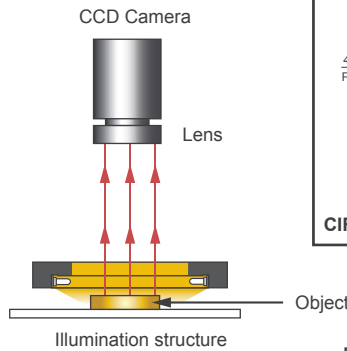
CIR0S Series

Zero Angle Ring Lights



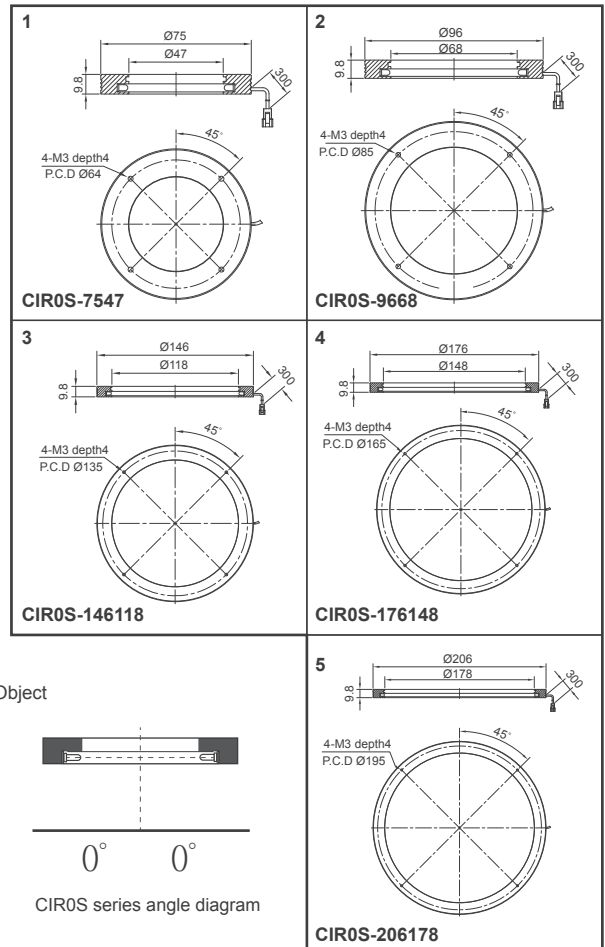
◆ Product Features

- High performance optical design
- Unprecedented high levels of uniformity in the current market
- Low divergence angle and high directivity
- Effectively highlight the defect characteristics of your inspected objects
- Patented product

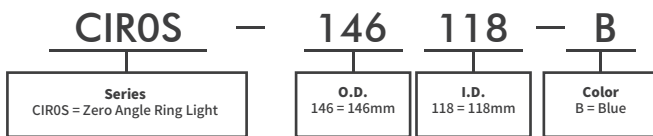


◆ Dimensional Drawing

(mm)



◆ Model Guide



◆ Specification Table

| Model | Voltage | Color | Power (W) | | Dimensions (mm) | | | Diagrams |
|--------------|---------|-------|-----------|-----|-----------------|------|-------|----------|
| | | | ● | ●●○ | O.D. | I.D. | Angle | |
| CIR0S-7547 | 24V | ●●●○ | 3.6 | 5 | 75 | 47 | 0 | 1 |
| CIR0S-9668 | 24V | ●●●○ | 4.3 | 6.5 | 96 | 68 | 0 | 2 |
| CIR0S-146118 | 24V | ●●●○ | 7.2 | 10 | 146 | 118 | 0 | 3 |
| CIR0S-176148 | 24V | ●●●○ | 8.6 | 13 | 176 | 148 | 0 | 4 |
| CIR0S-206178 | 24V | ●●●○ | 10 | 15 | 206 | 178 | 0 | 5 |

◆ Case Pictures

