

SkyCAM USB3 Series

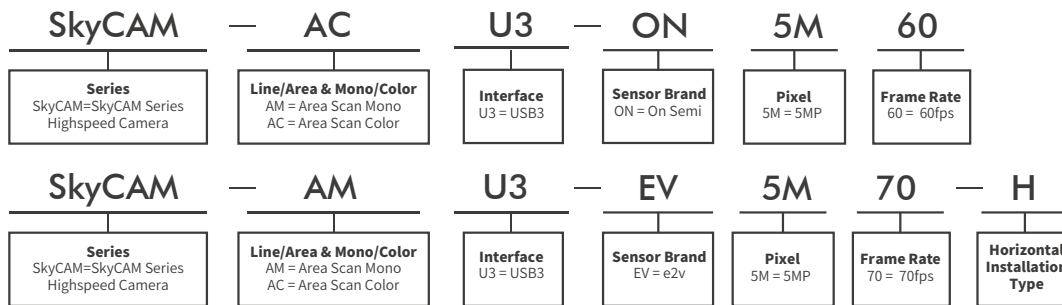
SkyCAM USB3.0 Industrial Camera

◆ Product Features

- Newest Global & Rolling Shutter CMOS Image Sensor
- Cost-effective due to the ultra-small optical format
- Ultra-compact camera size with screw lock USB connector
- Support USB 3.0 bus powered without external power
- Additional external power supply can be used when using a longer cable or AOC cable
- USB3 Vision & GenICam conformity
- Camera control / image acquisition by Bestintech SDK



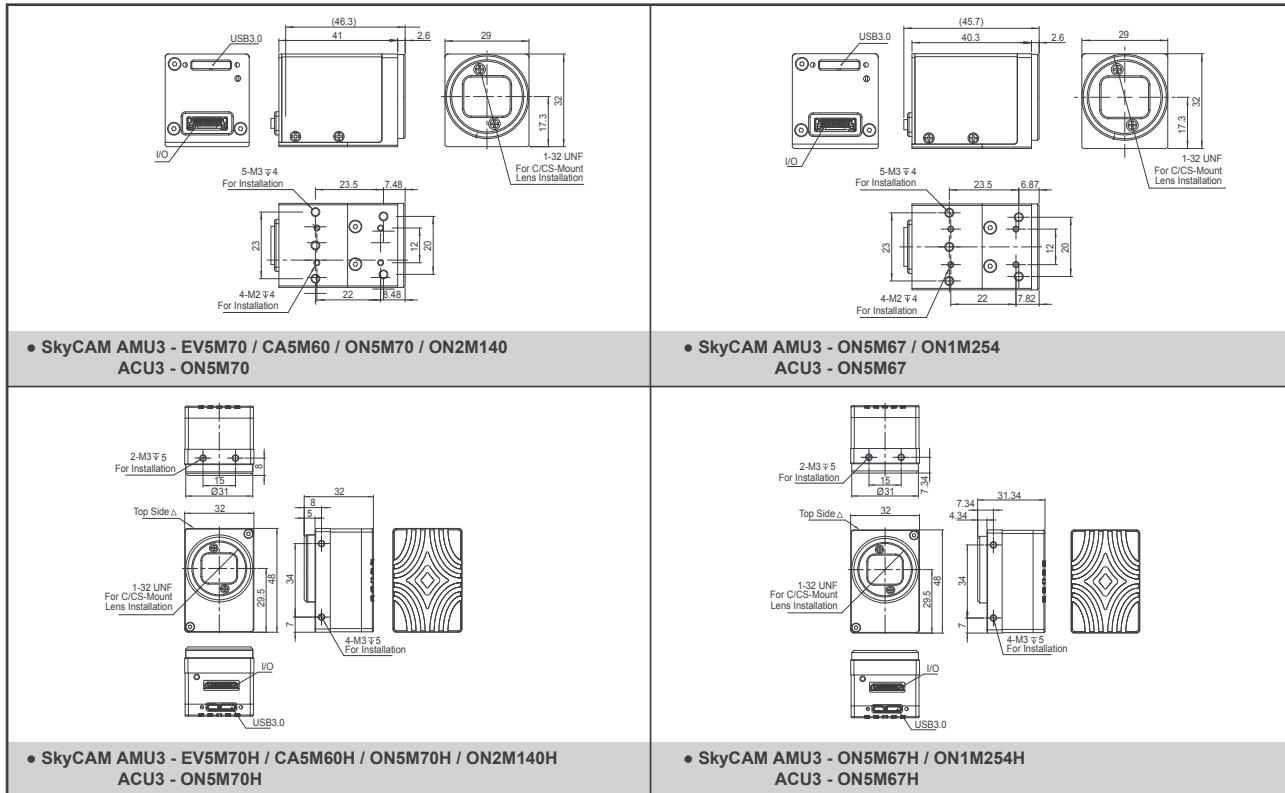
◆ Model Guide



◆ Specification Table

Features / Model	SkyCAM AMU3-EV5M70	SkyCAM AMU3-CA5M60	SkyCAM AMU3-CA5M70	SkyCAM AMU3-ON5M70	SkyCAM ACU3-ON5M70
CMOS Sensor	Teledyne e2v Lince5M	Canon 3U5MGX	Canon LI5040	On Semi. XGS5000	
Resolution (HxV)	2560 x 2048	2592 x 2048		2592 x 2048	
Pixel Size	5µm	3.4µm		3.2µm	
Sensor Technology / shutter	Global Shutter	Global Shutter		Global Shutter	
Sensor Size (optical)	1 Inch	2/3 Inch		2/3 Inch	
Frame Rate	70 fps	60 fps	70 fps	70 fps	
Mono / Color	Monochrome	Monochrome		Monochrome	Color
Video Output Format	Mono 8/10	Mono 8/10		Mono 8/10/12	Bayer 8/10
Analog Gain	1/2/4x	1/2/4/8/16x		1/2/4x	
Digital Gain		0.01 ~ 16x			
Flat Field Correction		Pixel Based			
Output Interface		Micro-B with Screw Locking			
Output Standard		USB3 Vision			
Signal to Noise Ration	42 dB	40 dB		40 dB	
Synchronization		External Trigger / Software Trigger / Free Run			
Exposure Control	Programmable 1uS ~ 10S	Programmable 12uS ~ 4S		Programmable 12uS ~ 10S	
Dimensions (L x W x H)		32 x 29 x 43.6 mm H : 32 x 32 x 48 mm (without lens adapter and connectors)			
Lens Mount		C-Mount / CS-Mount			
Digital Input / Output		2 Opto-isolated Input / 2 Opto-isolated Output			
Power & I / O Connector		Screwless & Pluggable Terminal Block			
Power Consumption (typical)	4.5W @ USB 5V	3.3W @ USB 5V		3.65W @ USB 5V	
Weight(typical)		62g / H : 70g (Horizontal Installation)			
Operating Temperature		-20 to +60°C (housing temperature)			
Power Input		USB 3.0 Bus Powered or External DC 9V~26V			

◆ Dimensional Drawing



Features / Model	SkyCAM AMU3-ON2M140	SkyCAM AMU3-ON5M67	SkyCAM ACU3-ON5M67	SkyCAM AMU3-ON1M254
CMOS Sensor	On Semi. XGS2000	On Semi. AR0521	On Semi. AR0522 (NIR+)	On Semi. AR0134
Resolution (HxV)	1920x 1200	2560 x 1944		1280 x 960
Pixel Size	3.2µm	2.2µm		3.75µm
Sensor Technology / shutter	Global Shutter	Rolling Shutter		Global Shutter
Sensor Size (optical)	1 / 1.25 Inch	1 / 2.5 Inch		1 / 3 Inch
Frame Rate	140 fps	67 fps		54 fps @ Free Run 50 fps @ Ext. Trigger
Mono / Color	Monochrome	Monochrome	Color	Monochrome
Video Output Format	Mono 8/10/12	Mono 8/10	Bayer 8/10	Mono 8/10/12
Analog Gain	1/2/4x	1 ~ 12x		1/2/4/8x
Digital Gain	0.01 ~ 16x			
Flat Field Correction	Pixel Based			N/A
Output Interface	Micro-B with Screw Locking			
Output Standard	USB3 Vision			
Signal to Noise Ration	40 dB	40 dB		38dB
Synchronization	External Trigger / Software Trigger / Free Run			
Exposure Control	Programmable 12uS ~ 10S	Programmable 8uS ~ 10S		Programmable 19uS ~ 10S
Dimensions (L x W x H)	32 x 29 x 43.6 mm H : 32 x 32 x 48 mm (without lens adapter and connectors)	32 x 29 x 42.9 mm H : 32 x 31.34 x 48 mm (without lens adapter and connectors)		
Lens Mount	C-Mount / CS-Mount			
Digital Input / Output	2 Opto-isolated Input / 2 Opto-isolated Output			
Power & I / O Connector	Screwless & Pluggable Terminal Block			
Power Consumption (typical)	3.6W @ USB 5V	3W @ USB 5V		2.8W @ USB 5V
Weight(typical)	62g / H : 70g (Horizontal Installation Type)			
Operating Temperature	-20 to +60°C (housing temperature)			
Power Input	USB 3.0 Bus Powered or External DC 9V~26V			