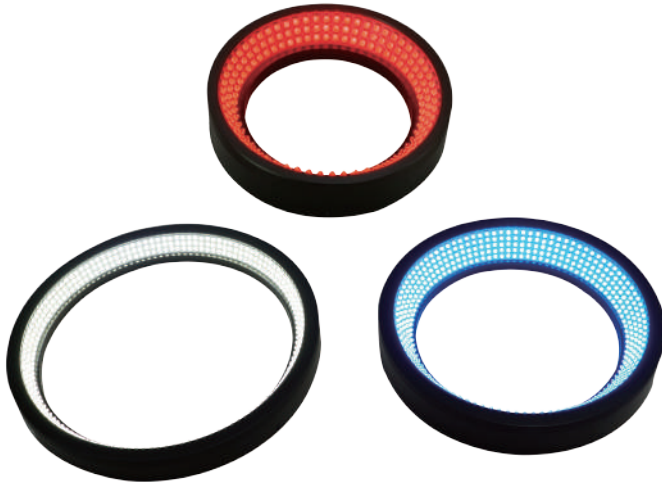


LCIR2 Series

Low Angle Ring Lights

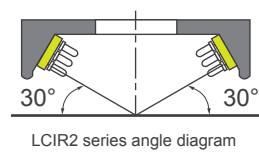
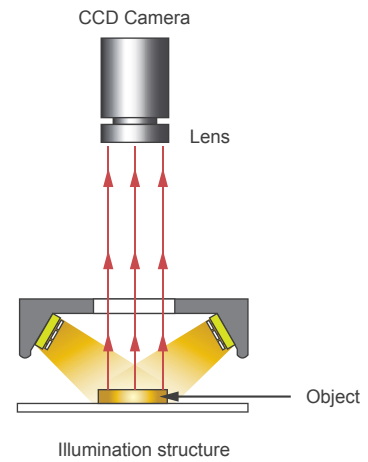
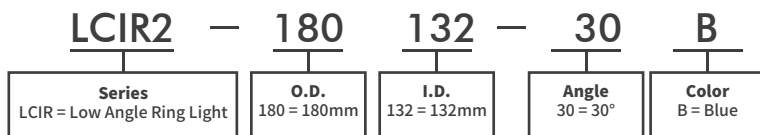


▲ Close look at LCIR2 LED

◆ Product Features

- High density LED array, high brightness
- Customized LED beam angle and illumination angle available
- Compact design to save the installation space
- SMT/Reflow technology to assure product quality and production efficiency

◆ Model Guide



◆ Specification Table

Model	Voltage	Color	Power (W)		Dimensions (mm)			Diagrams
			●	●●●○	O.D.	I.D.	Angle	
LCIR2-4318-30	24V	● ● ● ○	2.6	2.6	43	18	30	1
LCIR2-4820-30	24V	● ● ● ○	2.8	3.2	48	20	30	2
LCIR2-5022-30	24V	● ● ● ○	3.1	3.2	50	22	30	3
LCIR2-6630-30	24V	● ● ● ○	5.5	6.5	66	30	30	4
LCIR2-7446-30	24V	● ● ● ○	4.5	5	74	46	30	5
LCIR2-10070-30	24V	● ● ● ○	8.5	9.1	100	70	30	6
LCIR2-13296-15	24V	● ● ● ○	14	16	132	96	15	7
LCIR2-150120-30	24V	● ● ● ○	17	20	150	120	30	8
LCIR2-170134-20	24V	● ● ● ○	20	20	170	134	20	9
LCIR2-180132-30	24V	● ● ● ○	26	30	180	132	30	10
LCIR2-208171-25	24V	● ● ● ○	20	20	208	171	25	11

◆ Dimensional Drawing

(mm)

<p>1</p> <p>LCIR2-4318-30</p>	<p>2</p> <p>LCIR2-4820-30</p>	<p>3</p> <p>LCIR2-5022-30</p>
<p>4</p> <p>LCIR2-6630-30</p>	<p>5</p> <p>LCIR2-7446-30</p>	<p>6</p> <p>LCIR2-10070-30</p>
<p>7</p> <p>LCIR2-13296-15</p>	<p>8</p> <p>LCIR2-150120-30</p>	<p>9</p> <p>LCIR2-170134-20</p>
<p>10</p> <p>LCIR2-180132-30</p>	<p>11</p> <p>LCIR2-208171-25</p>	