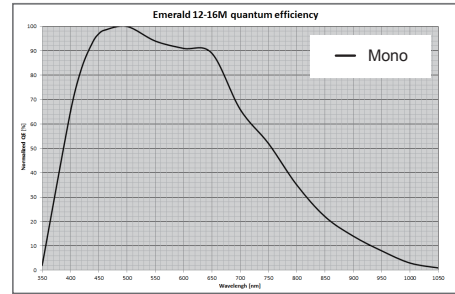


SkyCAM 16M/12M Series

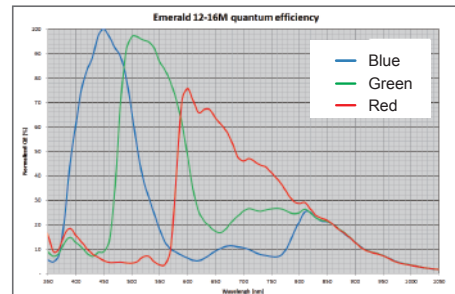
SkyCAM 16M/12M工業相機



◆ 響應曲線



EV2S16M - Quantum Efficiency for Mono Version



EV2S16M - Quantum Efficiency for Color Version

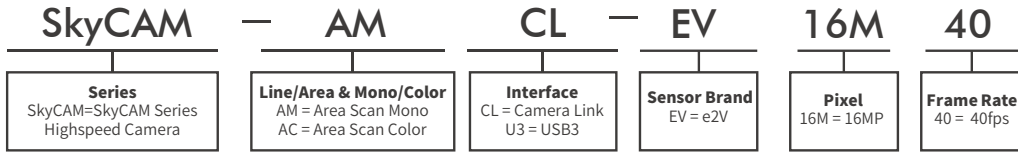
◆ 產品特色

- 一千六百萬與一千兩百萬畫素CMOS感測器元件
- 高性價比的小型化C/CS-Mount光學鏡頭接口
- 電子式全域快門與精準曝光控制
- 支援CameraLink Base和Full的配置
- 相容USB3 Vision介面以及GenICam介面
- 提供軟體開發套件以進行相機控制與影像擷取
- 支援pixel by pixel的平場校正(FFC)

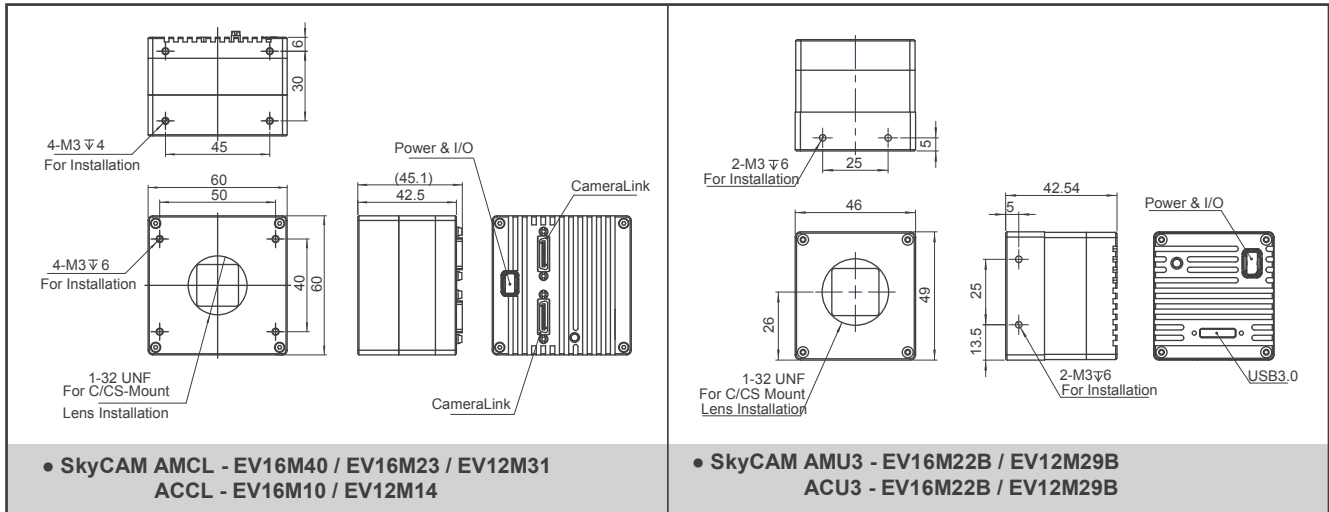
◆ 系列規格表

| Features / Model | SkyCAM AMCL-EV16M40 | SkyCAM AMCL-EV16M23 | SkyCAM ACCL-EV16M10 | SkyCAM AMCL-EV12M31 | SkyCAM ACCL-EV12M14 |
|-----------------------------|--|---|---|--|---|
| CMOS Sensor | Teledyne e2v Emerakd 16M High Speed | Teledyne e2v Emerakd 16M Standard Speed | | Teledyne e2v Emerakd 12M Standard Speed | |
| Resolution (H x V) | 4096 x 4096 | | 4096 x 3072 | | |
| Pixel Size | 2.8µm square pixels with shifted micro-lens | | | | |
| Sensor Technology/shutter | CMOS / Global Shutter | | | | |
| Sensor Size (optical) | 1 Inch | | | | |
| Frame Rate | 40 fps | 23 fps | 10 fps | 31 fps | 14 fps |
| Mono / Color | Monochrome | Monochrome | Color | Monochrome | Color |
| Video Output Format | Mono 8-bit | Mono 8-bit | Color 24-bit | Mono 8-bit | Color 24-bit |
| Output Interface | CameraLink SDR-26 x 2 | | | | |
| Output Standard | Mono Full 8 Taps @ 85MHz Mono Base 2 Taps @ 85MHz | | RGB Medium 2 Taps @ 85MHz RGB Base 1 Tap @ 85MHz | Mono Full 8 Taps @ 85MHz Mono Base 2 Taps @ 85MHz | RGB Medium 2 Taps @ 85MHz RGB Base 1 Tap @ 85MHz |
| Analog Gain | 1 / 1.5 / 2 / 3 / 4 / 6 / 8x | | | | |
| Digital Gain | 0.01~16x | | | | |
| Signal to Noise Ration | >39 dB | | | | |
| Dynamic Range | > 55 dB @ 8-bit | | | | |
| Synchronization | External Trigger / Software Trigger / Free Run | | | | |
| Exposure Control | Programmable - 10.4µS ~ 10S | Programmable - 20.8µS ~ 10S | | | |
| Dimensions (L x W x H) | 60 x 60 x 42.5mm (without lens adapter and connectors) | | | | |
| Lens Mount | C-Mount / CS-Mount / M42-Mount | | | | |
| Digital Input / Output | 2 Opto-isolated Input / 2 Opto-isolated Output | | | | |
| Power & I / O Connector | Hirose ix Industrial - IX80G-B-10P | | | | |
| Power Consumption (typical) | 6.3W @ DC 24V Input | | | | |
| Weight (typical) | 242 g | | | | |
| Operating Temperature | -20 to +60°C (housing temperature) | | | | |
| Power Input | DC 9V~26V | | | | |

◆ 產品型號



◆ 產品尺寸圖



| Features / Model | SkyCAM AMU3-EV16M22B | SkyCAM ACU3-EV16M22B | SkyCAM AMU3-EV12M29B | SkyCAM ACU3-EV12M29B |
|-----------------------------|--|----------------------|---|----------------------|
| CMOS Sensor | Teledyne e2v Emerakd 16M Standard Speed | | Teledyne e2v Emerakd 12M Standard Speed | |
| Resolution (H xV) | 4096 x 4096 | | 4096 x 3072 | |
| Pixel Size | 2.8µm square pixels with shifted micro-lens | | | |
| Sensor Technology/shutter | CMOS / Global Shutter | | | |
| Sensor Size (optical) | 1 Inch | | | |
| Frame Rate | 22 fps | 22 fps | 29 fps | 29 fps |
| Mono / Color | Monochrome | Color | Monochrome | Color |
| Video Output Format | Mono 8/10 | Bayer 8/10 | Mono 8/10 | Bayer 8/10 |
| Output Interface | Micro-B with Lock | | | |
| Output Standard | USB3 Vision | | | |
| Analog Gain | 1 / 1.5 / 2 / 3 / 4 / 6 / 8x | | | |
| Digital Gain | 0.01~16x | | | |
| Signal to Noise Ration | >39 dB | | | |
| Dynamic Range | > 55 dB @ 8-bit | | | |
| Synchronization | External Trigger / Software Trigger / Free Run | | | |
| Exposure Control | Programmable - 20.8µS ~ 10S | | | |
| Dimensions (L x W x H) | 49 x 46 x 42.5mm (without lens adapter and connectors) | | | |
| Lens Mount | C-Mount / CS-Mount | | | |
| Digital Input / Output | 2 Opto-isolated Input / 2 Opto-isolated Output | | | |
| Power & I/O Connector | Hirose ix Industrial - IX80G-B-10P | | | |
| Power Consumption (typical) | 4.5W @ DC 24V Input, 3.9W @ USB 5V | | | |
| Weight (typical) | 150g | | | |
| Operating Temperature | -20 to +60°C (housing temperature) | | | |
| Power Input | DC 9V~26V | | | |